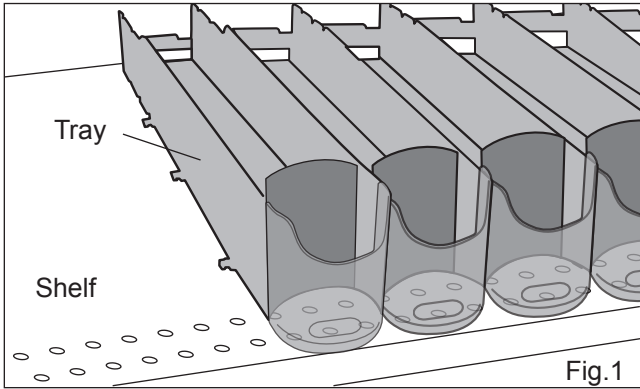


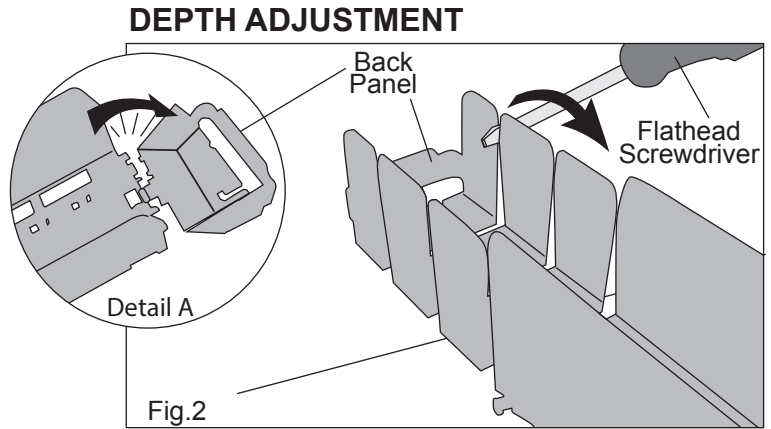
EU 500ml Visi-FAST® Installation Instructions

CARTON CONTENT	
Qty	Part
6	Visi-FAST Trays (10 wide)
1	Instruction Sheet

Shelf Bar - Optional
(Order Separately)

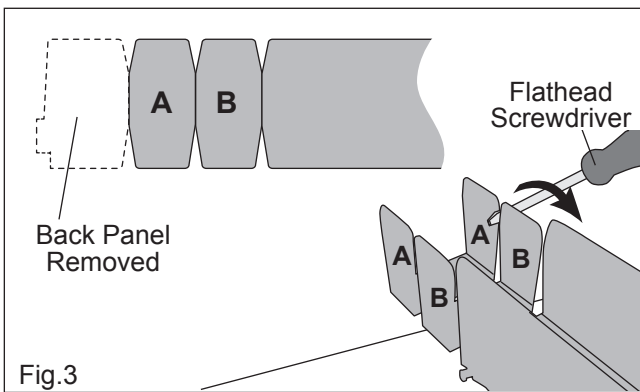


1. Unpack and place **Tray** on shelf. If tray shelf depth must be adjusted see step 2.



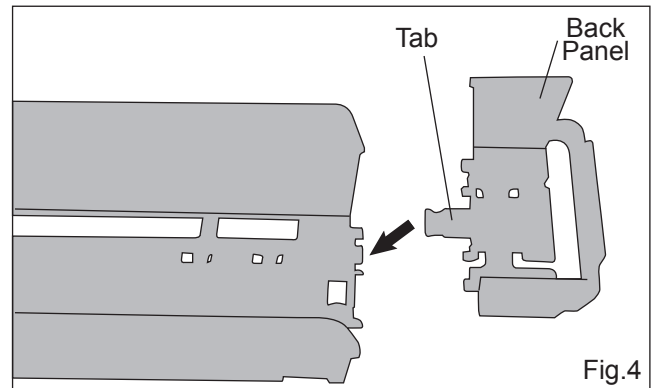
2. Insert flathead **Screwdriver** in slot and quickly twist to break back off. See Fig 2.
3. Snap **Back Panel** off by bending down in a **QUICK** downward motion. See **Detail A**.

 **Safety glasses to be worn when adjusting the depth**



4. For 7 bottles deep (495mm), break off **section A** and replace **Back Panel** (See step 5).

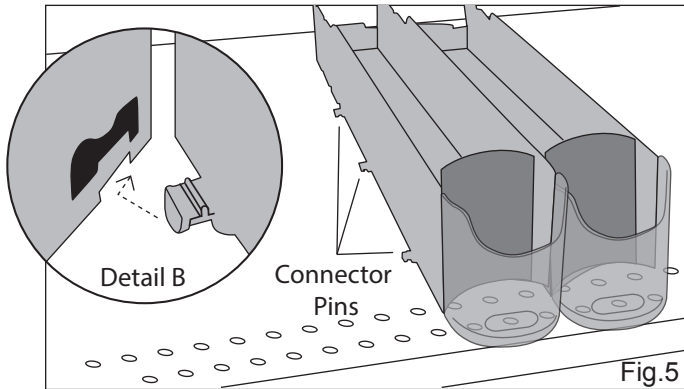
For 6 bottles deep (427mm), break off **section A & B** and replace **Back Panel** (See step 5).



5. Reattach the **Back Panel** by aligning and pushing down **Tab**. Snapping the pieces together will complete depth adjustment to achieve 6 or 7 bottles deep.

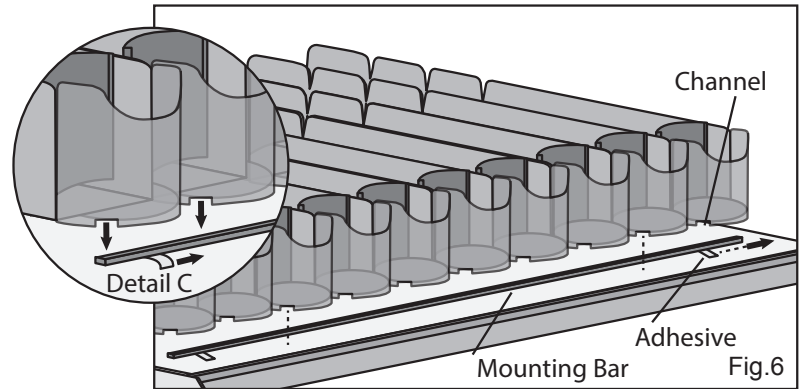
NOTE: The back panel must be replaced for proper pusher function.

WIDTH ADJUSTMENT



6. Align **Connector Pins** and slots on tray sides (See **Detail B**), slide together and push back to lock into position.

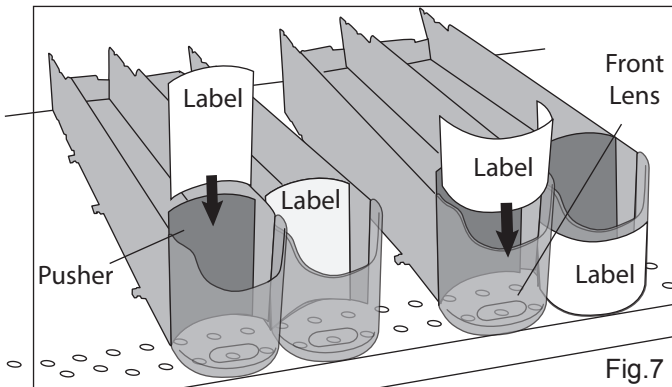
ANCHORING WITH OPTIONAL SHELF BAR



7. To secure to gondola shelf, peel **Adhesive** backing off **Mounting Bar** bottom exposing tape.
8. Place mounting bar in **Channel** under clear fronts of Visi-FAST (See **Detail C**).
9. Lightly place **Visi-FAST and Mounting Bar** on shelf, adjust to proper location and press down firmly to set tape.

For 500ml – mounting bar must always be used to safely affix to shelf.

LABEL INSTALLATION



10. Branding **Labels** can slide into two separate locations (**Pusher** and/or **Front Lens**).

PRODUCT LOADING



11. Load product into trays by sliding pusher back, and placing package into tray.